

RIVERBANK ACOUSTICAL LABORATORIES

1512 S. BATAVIA AVENUE
GENEVA, ILLINOIS 60134

Alion Science and Technology

630/232-0104
FOUNDED 1918 BY
WALLACE CLEMENT SABINE

TEST REPORT

FOR: Verco Decking, Inc.
Phoenix, AZ

Sound Absorption
RAL™-A13-263

CONDUCTED: 3 September 2013

Page 1 of 7

ON: #38 N24 Web Perforated Metal Deck 0.75 pcf 2.375" x 3" over 2 Inch Rigid Fiberglass

TEST METHOD

The test method conformed explicitly with the requirements of the ASTM Standard Test Method for Sound Absorption and Sound Absorption Coefficients by the Reverberation Room Method: ASTM C423-09a and E795-05. Riverbank Acoustical Laboratories has been accredited by the U.S. Department of Commerce, National Institute of Standards and Technology (NIST) under the National Voluntary Laboratory Accreditation Program (NVLAP) for this test procedure (NVLAP Lab Code: 100227-0). A description of the measuring procedure and room qualifications is available separately.

DESCRIPTION OF THE SPECIMEN

The test specimen was designated by the manufacturer as #38 N24 Web Perforated Metal Deck 0.75 pcf 2.375" x 3" over 2 Inch Rigid Fiberglass. A visual inspection by Riverbank staff verified the manufacturer's description, further disclosing a fluted metal deck profile with perforations in the web sidelaps only. Strips of un-encapsulated 0.75 pcf fiberglass insulation (2.375 in. wide by 3.0 in. thick) were inserted into the entire length of each web. The entire metal deck specimen was backed by 2.0 inch thick, 3.0 pcf, semi-rigid fiberglass insulation board.

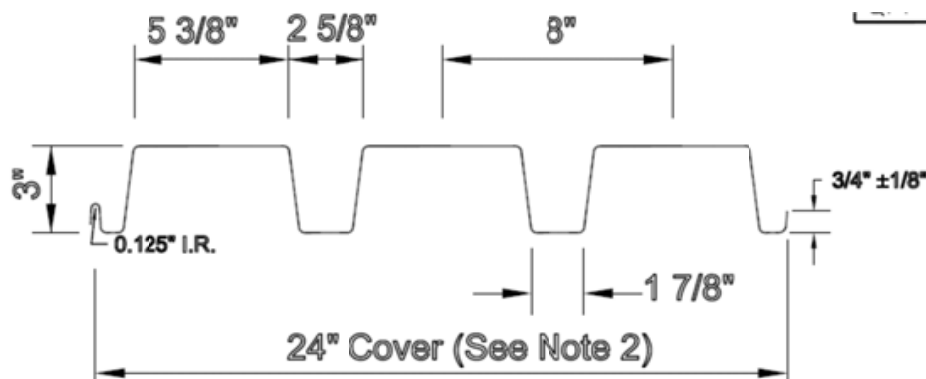


Figure 1 – Metal deck section drawing (supplied by client).



NVLAP Lab Code 100227-0

ACCREDITED BY DEPARTMENT OF COMMERCE, NATIONAL VOLUNTARY LABORATORY
ACCREDITATION PROGRAM FOR SELECTED TEST METHODS FOR ACOUSTICS.
THE LABORATORY'S ACCREDITATION OR ANY OF ITS TEST REPORTS IN NO WAY CONSTITUTES
OR IMPLIES PRODUCT CERTIFICATION, APPROVAL, OR ENDORSEMENT BY NIST.

This report shall not be reproduced except in full, without the written approval of RAL.

THE RESULTS REPORTED ABOVE APPLY ONLY TO THE SPECIFIC SAMPLE SUBMITTED FOR MEASUREMENT. NO RESPONSIBILITY IS ASSUMED FOR PERFORMANCE OF ANY OTHER SPECIMEN.

RIVERBANK ACOUSTICAL LABORATORIES

1512 S. BATAVIA AVENUE
GENEVA, ILLINOIS 60134

Alion Science and Technology

630/232-0104
FOUNDED 1918 BY
WALLACE CLEMENT SABINE

TEST REPORT

Verco Decking, Inc.
3 September 2013

RAL™-A13-263
Page 2 of 7

The specimen consisted of 4 pieces laid as a single rectangular patch. The overall dimensions of the specimen as measured were 2.44 m (96.00 in.) wide by 2.74 m (108.00 in.) long and 127.00 mm (5.00 in.) thick. The area used in the calculations was 6.69 m² (72.00 ft²). The weight of the entire specimen as measured was 96.84 kg (213.50 lbs), an average of 14.50 kg/m² (2.97 lbs/ft²).

The specimen was tested in the laboratory's 292.0 m³ (10,311.0 ft³) test chamber. The room temperature at the time of the test was 22±0°C (71±0°F) and 61±1% relative humidity. The barometric pressure was 743 mm of mercury.

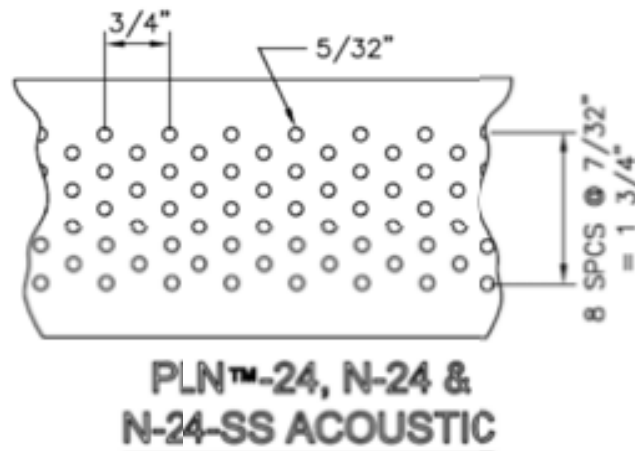


Figure 2 - Acoustical perforation detail (supplied by client).



NVLAP Lab Code 100227-0

ACCREDITED BY DEPARTMENT OF COMMERCE, NATIONAL VOLUNTARY LABORATORY
ACCREDITATION PROGRAM FOR SELECTED TEST METHODS FOR ACOUSTICS.
THE LABORATORY'S ACCREDITATION OR ANY OF ITS TEST REPORTS IN NO WAY CONSTITUTES
OR IMPLIES PRODUCT CERTIFICATION, APPROVAL, OR ENDORSEMENT BY NIST.

This report shall not be reproduced except in full, without the written approval of RAL.

THE RESULTS REPORTED ABOVE APPLY ONLY TO THE SPECIFIC SAMPLE SUBMITTED FOR MEASUREMENT. NO RESPONSIBILITY IS ASSUMED FOR PERFORMANCE OF ANY OTHER SPECIMEN.

RIVERBANK ACOUSTICAL LABORATORIES

1512 S. BATAVIA AVENUE
GENEVA, ILLINOIS 60134

Alion Science and Technology

630/232-0104
FOUNDED 1918 BY
WALLACE CLEMENT SABINE

TEST REPORT

Verco Decking, Inc.
3 September 2013

RAL™-A13-263
Page 3 of 7



Figure 3 - Specimen mounted in the test chamber.



Figure 4 - Detail of the test specimen.



NVLAP Lab Code 100227-0

ACCREDITED BY DEPARTMENT OF COMMERCE, NATIONAL VOLUNTARY LABORATORY
ACCREDITATION PROGRAM FOR SELECTED TEST METHODS FOR ACOUSTICS.
THE LABORATORY'S ACCREDITATION OR ANY OF ITS TEST REPORTS IN NO WAY CONSTITUTES
OR IMPLIES PRODUCT CERTIFICATION, APPROVAL, OR ENDORSEMENT BY NIST.

This report shall not be reproduced except in full, without the written approval of RAL.

THE RESULTS REPORTED ABOVE APPLY ONLY TO THE SPECIFIC SAMPLE SUBMITTED FOR MEASUREMENT. NO RESPONSIBILITY IS ASSUMED FOR PERFORMANCE OF ANY OTHER SPECIMEN.

RIVERBANK ACOUSTICAL LABORATORIES

1512 S. BATAVIA AVENUE
GENEVA, ILLINOIS 60134

Alion Science and Technology

630/232-0104
FOUNDED 1918 BY
WALLACE CLEMENT SABINE

TEST REPORT

Verco Decking, Inc.
3 September 2013

RAL™-A13-263
Page 4 of 7

MOUNTING A

The test specimen was laid directly against the test surface. The perimeter was sealed using wood and metal framing.

TEST RESULTS

1/3 Octave Center Frequency (Hz)	Absorption Coefficient	Total Absorption In Sabins
100	0.43	30.67
** 125	0.81	57.99
160	0.99	70.99
200	1.23	88.27
** 250	1.27	91.77
315	1.14	82.29
400	1.19	85.60
** 500	1.11	80.26
630	1.04	75.00
800	0.95	68.14
** 1000	0.81	58.24
1250	0.71	51.14
1600	0.64	45.80
** 2000	0.47	34.08
2500	0.34	24.78
3150	0.35	25.27
** 4000	0.32	22.88
5000	0.30	21.41

SAA = 0.91
NRC = 0.90



NVLAP Lab Code 100227-0

ACCREDITED BY DEPARTMENT OF COMMERCE, NATIONAL VOLUNTARY LABORATORY
ACCREDITATION PROGRAM FOR SELECTED TEST METHODS FOR ACOUSTICS.
THE LABORATORY'S ACCREDITATION OR ANY OF ITS TEST REPORTS IN NO WAY CONSTITUTES
OR IMPLIES PRODUCT CERTIFICATION, APPROVAL, OR ENDORSEMENT BY NIST.

This report shall not be reproduced except in full, without the written approval of RAL.

THE RESULTS REPORTED ABOVE APPLY ONLY TO THE SPECIFIC SAMPLE SUBMITTED FOR MEASUREMENT. NO RESPONSIBILITY IS ASSUMED FOR PERFORMANCE OF ANY OTHER SPECIMEN.

RIVERBANK ACOUSTICAL LABORATORIES

1512 S. BATAVIA AVENUE
GENEVA, ILLINOIS 60134

Alion Science and Technology

630/232-0104
FOUNDED 1918 BY
WALLACE CLEMENT SABINE

TEST REPORT

Verco Decking, Inc.
3 September 2013

RAL™-A13-263
Page 5 of 7

TEST RESULTS (Continued)

The sound absorption average (SAA) is defined as a single number rating, the average, rounded to the nearest 0.01, of the sound absorption coefficient of a material for the twelve one-third octave bands from 200 through 2500 Hz, inclusive.

The noise reduction coefficient (NRC) is defined from previous versions of this same test method as the average of the coefficients at 250, 500, 1000, and 2000 Hz, expressed to the nearest integral multiple of 0.05.

Tested by *Marc Sciaky* Approved by _____
Marc Sciaky
Experimentalist
Eric P. Wolfram
Laboratory Manager



NVLAP Lab Code 100227-0

ACCREDITED BY DEPARTMENT OF COMMERCE, NATIONAL VOLUNTARY LABORATORY
ACCREDITATION PROGRAM FOR SELECTED TEST METHODS FOR ACOUSTICS.
THE LABORATORY'S ACCREDITATION OR ANY OF ITS TEST REPORTS IN NO WAY CONSTITUTES
OR IMPLIES PRODUCT CERTIFICATION, APPROVAL, OR ENDORSEMENT BY NIST.

This report shall not be reproduced except in full, without the written approval of RAL.

THE RESULTS REPORTED ABOVE APPLY ONLY TO THE SPECIFIC SAMPLE SUBMITTED FOR MEASUREMENT. NO RESPONSIBILITY IS ASSUMED FOR PERFORMANCE OF ANY OTHER SPECIMEN.

RIVERBANK ACOUSTICAL LABORATORIES

1512 S. BATAVIA AVENUE
GENEVA, ILLINOIS 60134

Alion Science and Technology

630/232-0104
FOUNDED 1918 BY
WALLACE CLEMENT SABINE

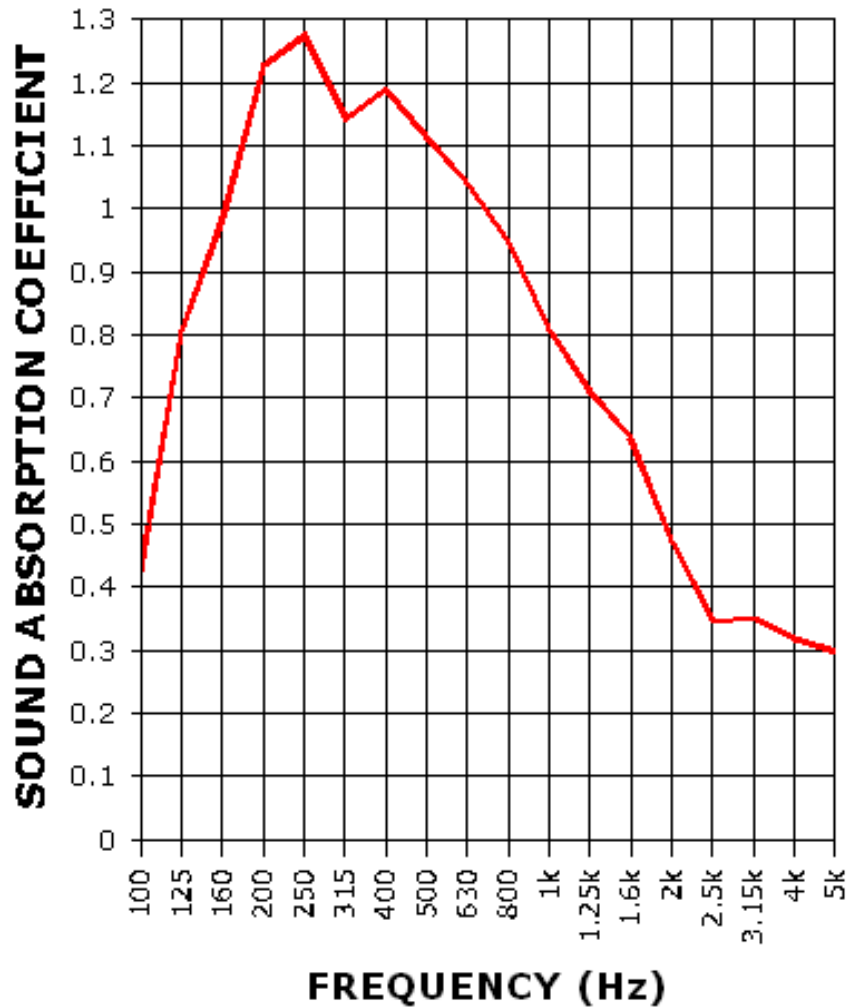
TEST REPORT

Verco Decking, Inc.
3 September 2013

RAL™-A13-263
Page 6 of 7

SOUND ABSORPTION REPORT

#38 N24 Web Perforated Metal Deck 0.75 pcf 2.375" x 3" over 2 Inch Rigid
Fiberglass



SAA = 0.91

NRC = 0.90



NVLAP Lab Code 100227-0

ACCREDITED BY DEPARTMENT OF COMMERCE, NATIONAL VOLUNTARY LABORATORY
ACCREDITATION PROGRAM FOR SELECTED TEST METHODS FOR ACOUSTICS.
THE LABORATORY'S ACCREDITATION OR ANY OF ITS TEST REPORTS IN NO WAY CONSTITUTES
OR IMPLIES PRODUCT CERTIFICATION, APPROVAL, OR ENDORSEMENT BY NIST.

This report shall not be reproduced except in full, without the written approval of RAL.

THE RESULTS REPORTED ABOVE APPLY ONLY TO THE SPECIFIC SAMPLE SUBMITTED FOR MEASUREMENT. NO RESPONSIBILITY IS ASSUMED FOR PERFORMANCE OF ANY OTHER SPECIMEN.

RIVERBANK ACOUSTICAL LABORATORIES

1512 S. BATAVIA AVENUE
GENEVA, ILLINOIS 60134

Alion Science and Technology

630/232-0104
FOUNDED 1918 BY
WALLACE CLEMENT SABINE

TEST REPORT

Verco Decking, Inc.
3 September 2013

RAL™-A13-263
Page 7 of 7

Appendix to ASTM C423 Sound Absorption Test **Extended Frequency Range Data**

Product Description: #38 N24 Web Perforated Metal Deck 0.75 pcf 2.375" x 3" over 2 Inch Rigid Fiberglass (See Full Report)

Riverbank Acoustical Laboratories is accredited to perform sound absorption coefficient measurements for the frequency range of 100Hz to 5,000Hz. However, we calculate sound absorption values at additional test frequencies as a service to our clients.

Although these measurements were made in accordance with the procedures described in ASTM C423-09a, they do not qualify as part of the standard. Since the results are representative of the test environment only, they are unofficial and intended for research and development guidelines rather than for commercial purposes. The sound absorption values at additional frequencies were as follows:

RAL-A13-263

1/3 Octave Center Frequency (Hz)	Absorption Coefficient	Total Absorption (Sabins)
40	0.08	5.79
50	0.07	4.69
63	0.12	8.59
80	0.00	0.23
6300	0.22	15.82
8000	0.15	11.06
10000	0.07	5.38



NVLAP Lab Code 100227-0

**ACCREDITED BY DEPARTMENT OF COMMERCE, NATIONAL VOLUNTARY LABORATORY
ACCREDITATION PROGRAM FOR SELECTED TEST METHODS FOR ACOUSTICS.
THE LABORATORY'S ACCREDITATION OR ANY OF ITS TEST REPORTS IN NO WAY CONSTITUTES
OR IMPLIES PRODUCT CERTIFICATION, APPROVAL, OR ENDORSEMENT BY NIST.**

This report shall not be reproduced except in full, without the written approval of RAL.

THE RESULTS REPORTED ABOVE APPLY ONLY TO THE SPECIFIC SAMPLE SUBMITTED FOR MEASUREMENT. NO RESPONSIBILITY IS ASSUMED FOR PERFORMANCE OF ANY OTHER SPECIMEN.